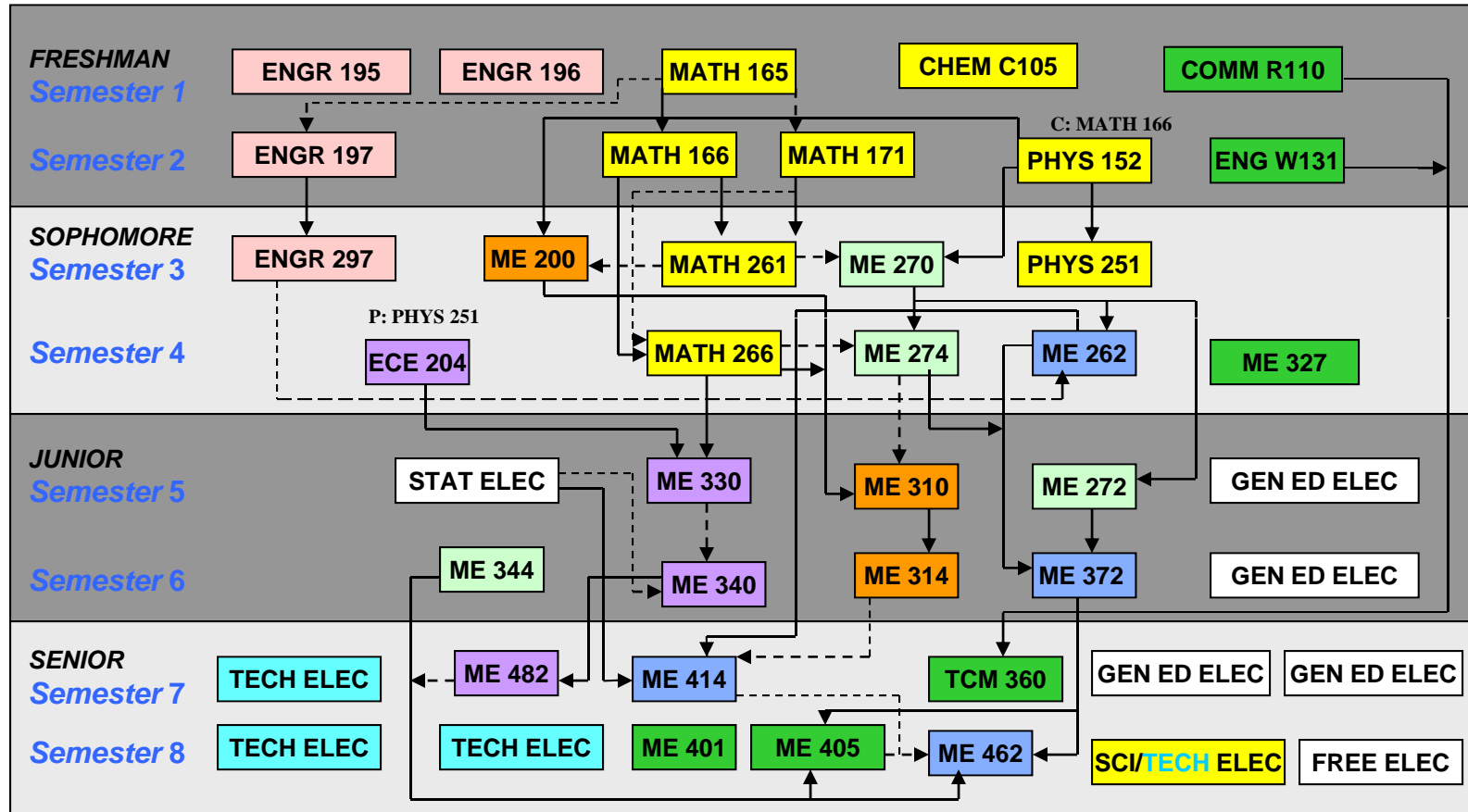


Bachelor of Science in Mechanical Engineering (BSME)

Program Map – Effective Fall 2009

- [Click on course for more information](#)
- [Click here to review curriculum changes](#)
- [Click here for printer friendly version](#)



ME Sciences

Mathematics & Physical Sciences

Thermal – Fluid Sciences

Tech. Electives

Systems, Measurements & Controls

Freshman Engineering

Commun., Ethics & Contem. Issues

Engineering Design

Electives

Revised:
12/10/09